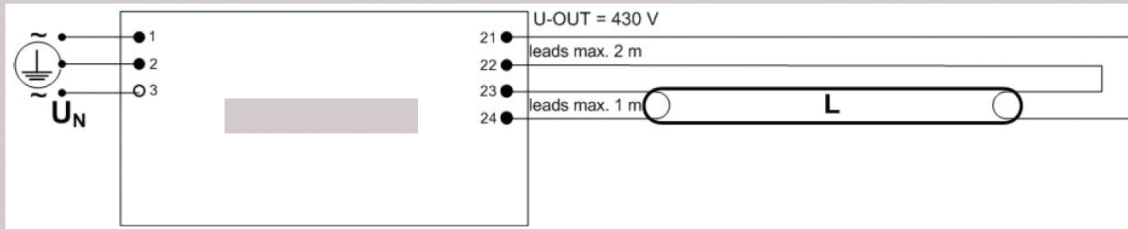
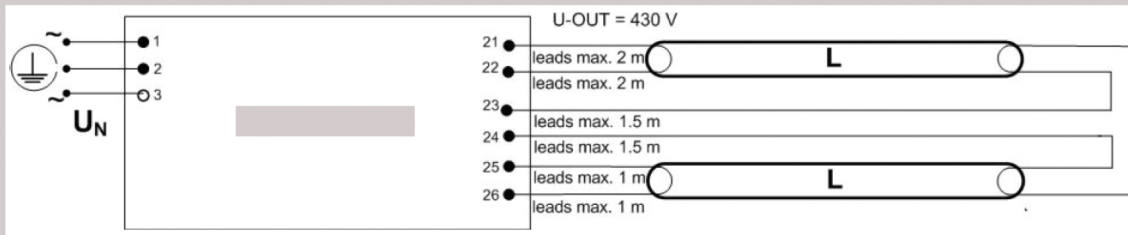


	QT-FIT8 1x18	QT-FIT8 1x36	QT-FIT8 1x58-70	QT-FIT8 2x18	QT-FIT8 2x36	QT-FIT8 2x58	QT-FIT8 2x58-70	QT-FIT8 3x18/4x18
10A (B/C) 	17 / 29 x	17 / 29 x	17 / 29 x	17 / 29 x	8 / 13 x	17 / 29 x	8 / 13 x	8 / 13 x
16A (B/C) 	28 / 49 x	28 / 49 x	28 / 49 x	28 / 49 x	13 / 22 x	17 / 29 x	13 / 22 x	13 / 22 x
	≤ 15 A	≤ 15 A	≤ 15 A	≤ 15 A	≤ 15 A	≤ 15 A	≤ 15 A	≤ 15 A
<b>T<sub>H</sub></b>	200 μs	200 μs	200 μs	200 μs	200 μs	200 μs	200 μs	200 μs

QT-FIT8 1x18; QT-FIT8 1x36; QT-FIT8 1x58-70;

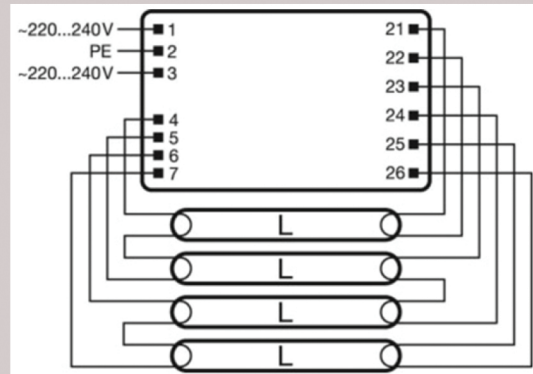
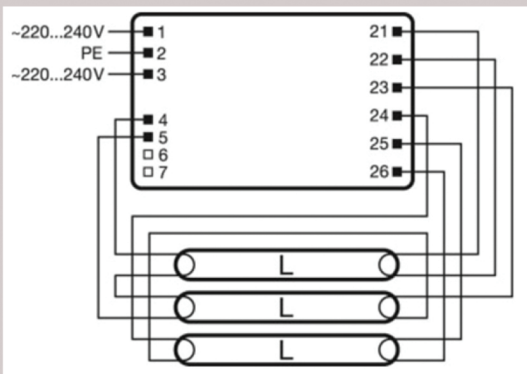


QT-FIT8 2x18; QT-FIT8 2x36; QT-FIT8 2x58; QT-FIT8 2x58-70;



QT-FIT8 3x18;

QT-FIT8 4x18;



Max. permitted cable length between ECG and lamp: 1.5 m

- (D)** Max. Leitungslänge zwischen EVG und Lampe; Leitungslänge max.
- (RUS)** Максимально допустимая длина кабеля между ЭПРА и лампой
- (KZ)** Құрылғы мен шам арасындағы кабельдің максималды ұзындығы