
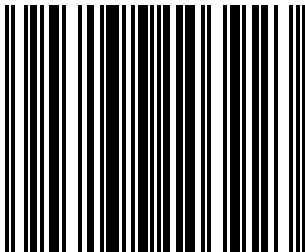




| | | | |
|---|---------------------------------|-------------------|---|
| LUMINAIRE MODEL | CTLS TINOS LED 30W | CATALOGUE GROUP | — |
| | 10392 | COUNTRY OF ORIGIN | — |
| LIGHT SOURCE | LED | | |
| MAXIMUM WATTAGE | 30W | | |
| NUMBER OF LIGHT SOURCES | 1 | | |
| IP | IP20 | | |
| LIFETIME | 30000h | | |
|  | | | |
| PACKAGE DIMENSIONS (L/W/H) | —/—/— | | |
| NET/GROSS WEIGHT | —/— | | |
| LEADING/SUPPLEMENTARY COLOR | White | | |
| MATERIALS | Painted aluminum,Plastic | | |
| STYLE | Modern | | |
| ELECTRICAL SECURITY CLASS | I | | |
| POWER SUPPLY | ~220-230V/50/60Hz | | |



5 9 0 3 1 3 9 1 0 3 9 2 3