

Mounting recommendation

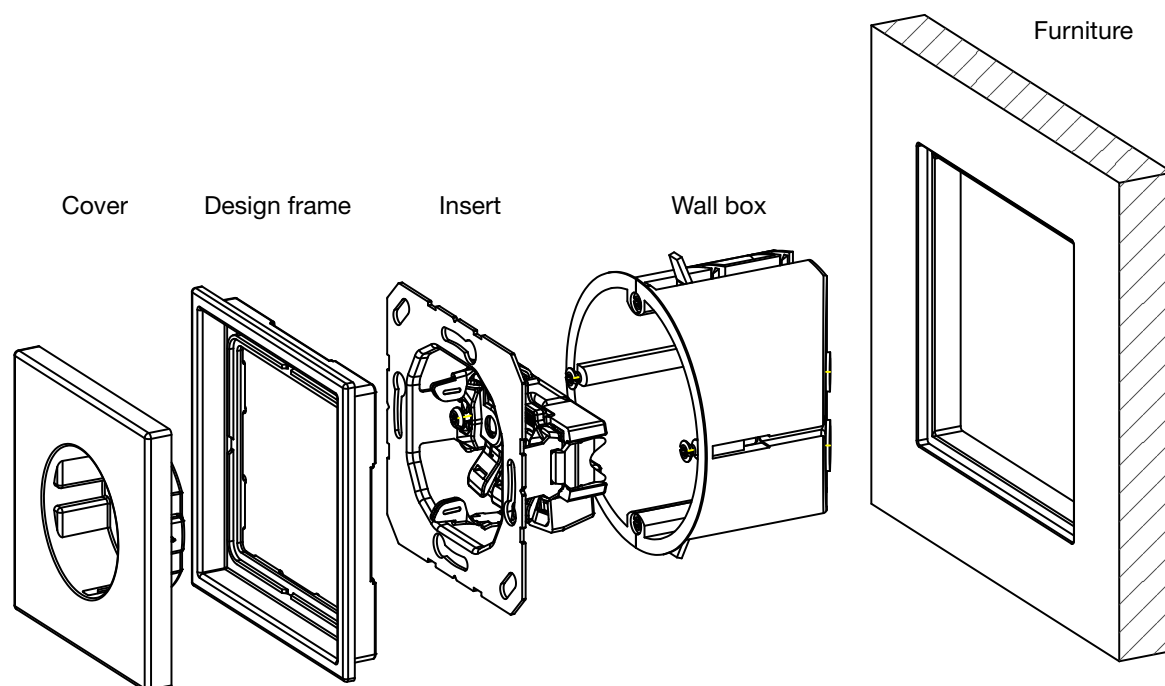
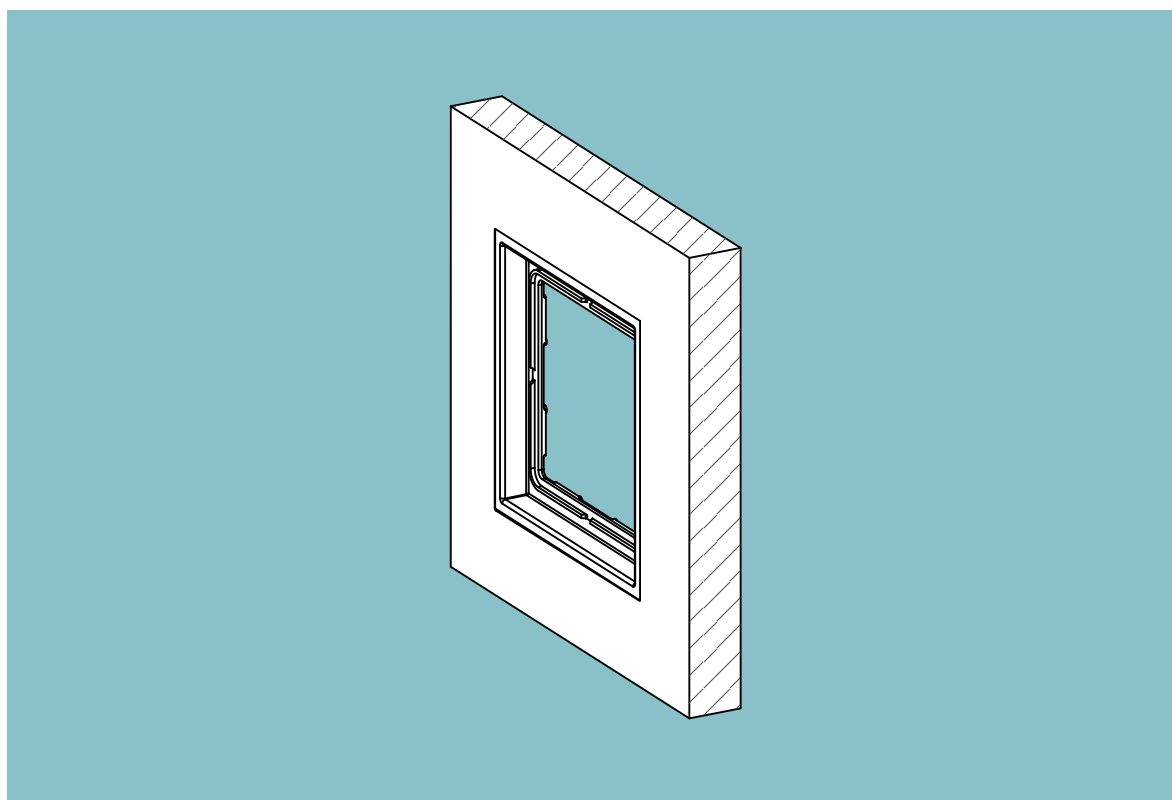
LS ZERO

0 mm

3 mm

Mounting recommendation

0 mm

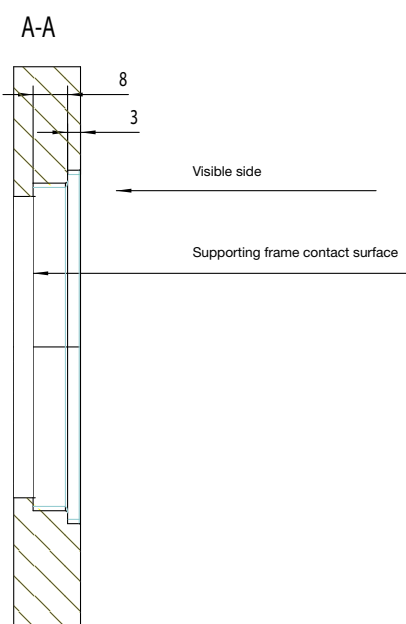
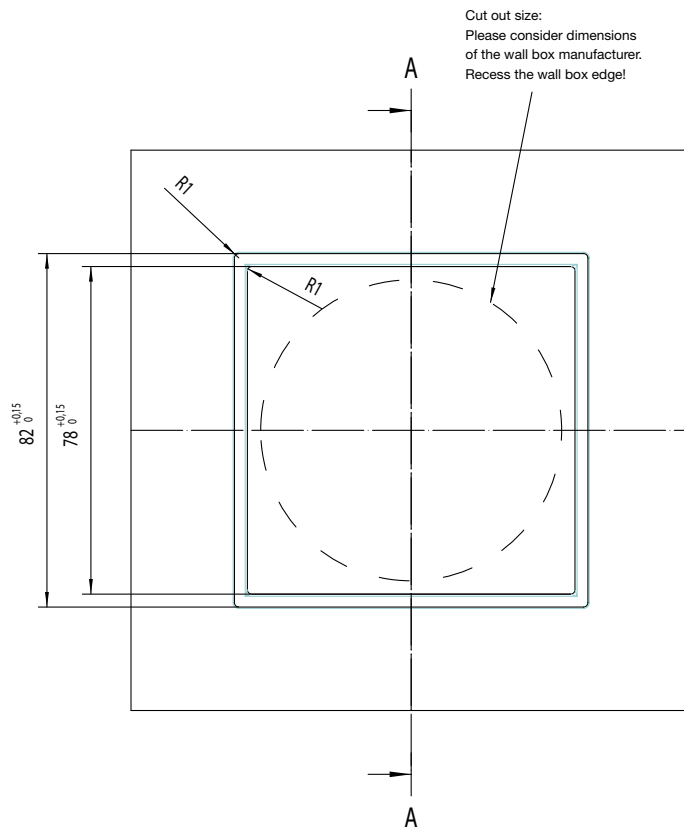


The flush mounting installation requires a minimum panel thickness of 13 mm. The supporting frame contact surface must be generated smooth and flat. Subsequently the cut out has to be sealed with a suitable sealing in order to avoid a swelling of the furniture.

Mounting recommendation

0 mm

1-gang frame installation:

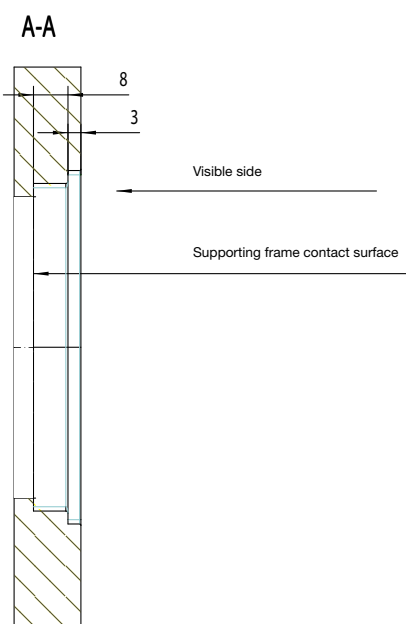
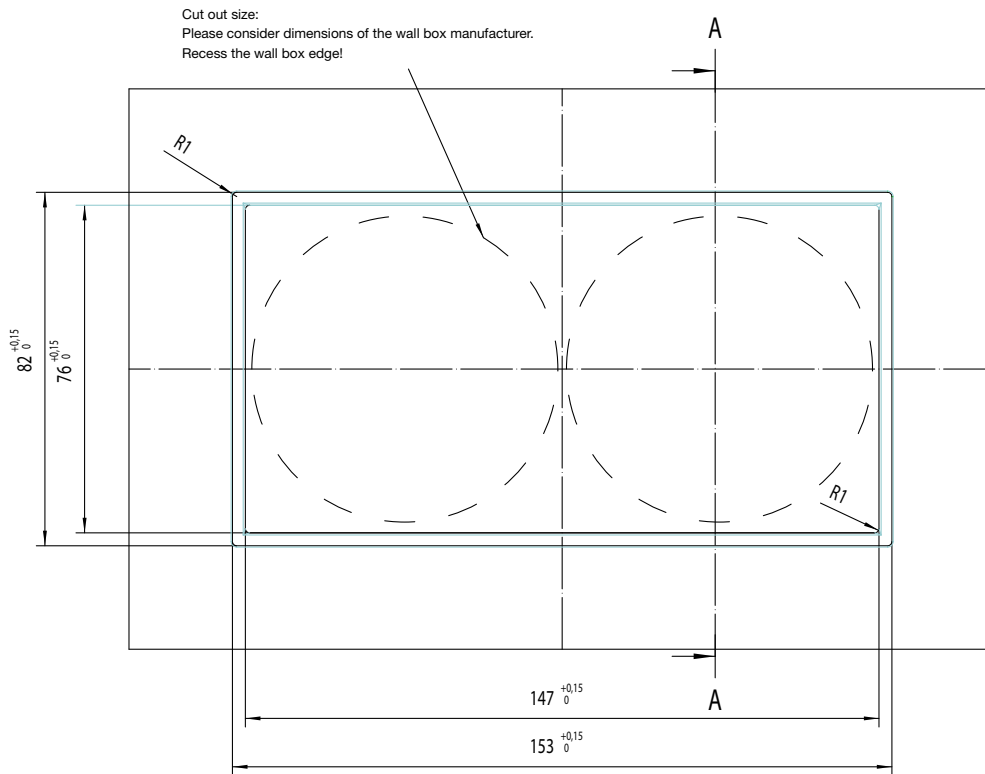


Safety instructions for installation: The insert may only be connected by a qualified electrician to the electrical network.

Mounting recommendation

0 mm

2-gang frame installation:

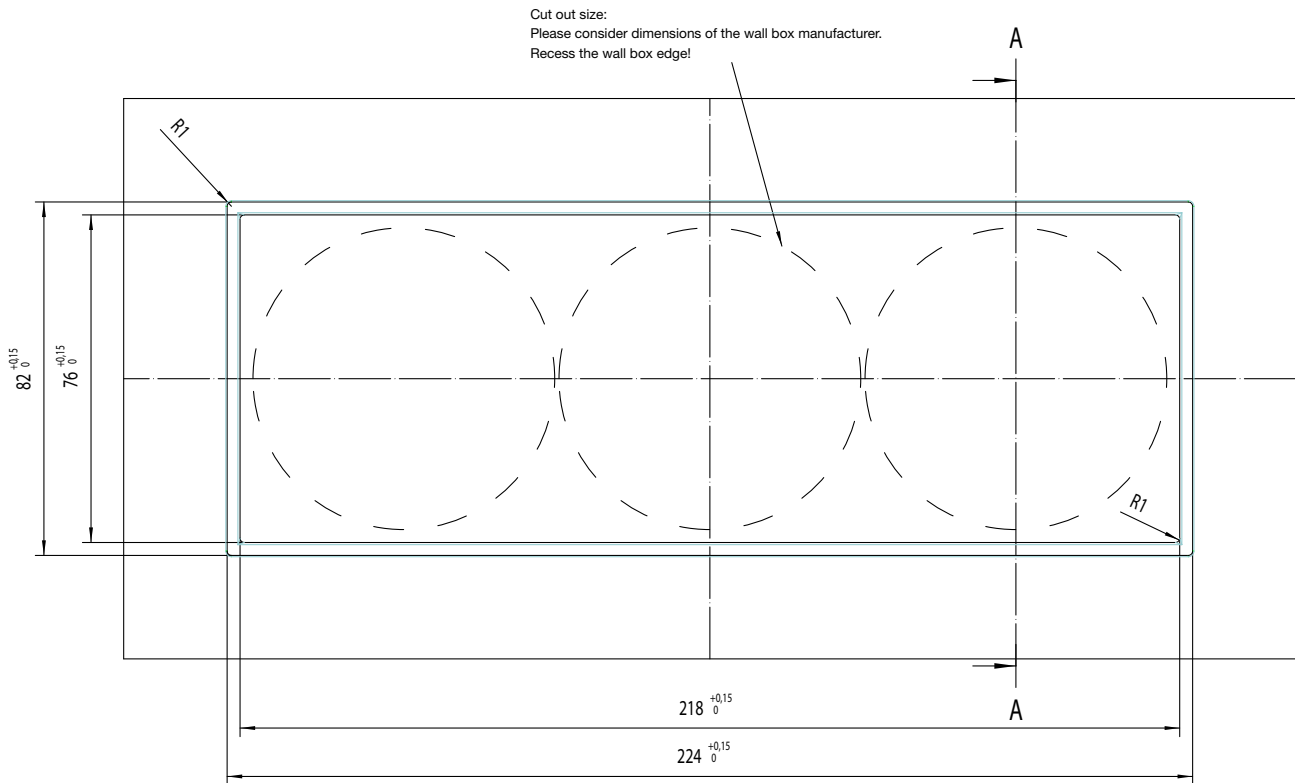


Safety instructions for installation: The insert may only be connected by a qualified electrician to the electrical network.

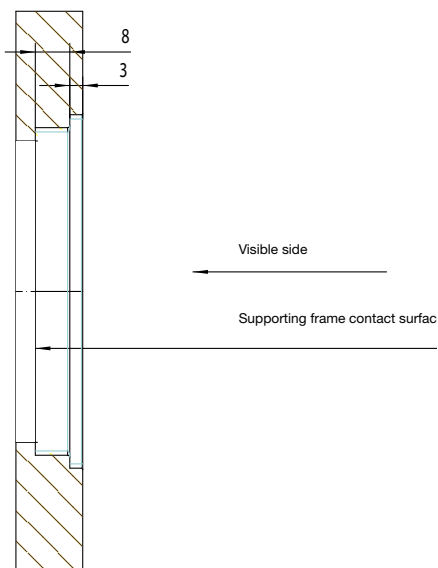
Mounting recommendation

0 mm

3-gang frame installation:



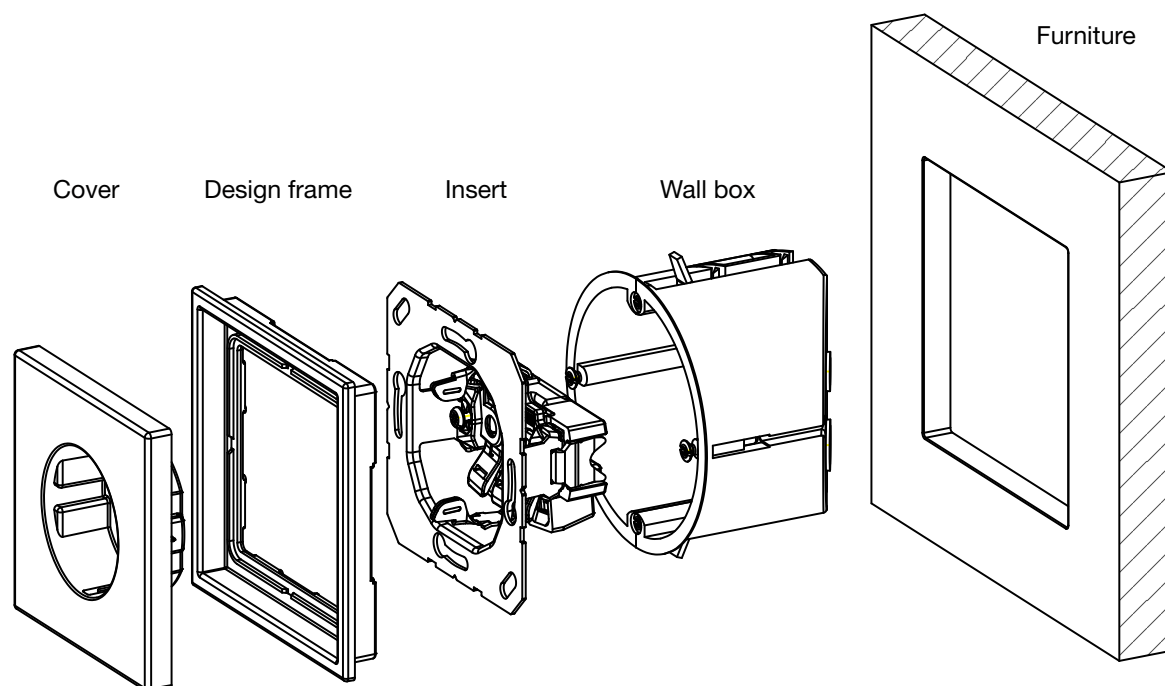
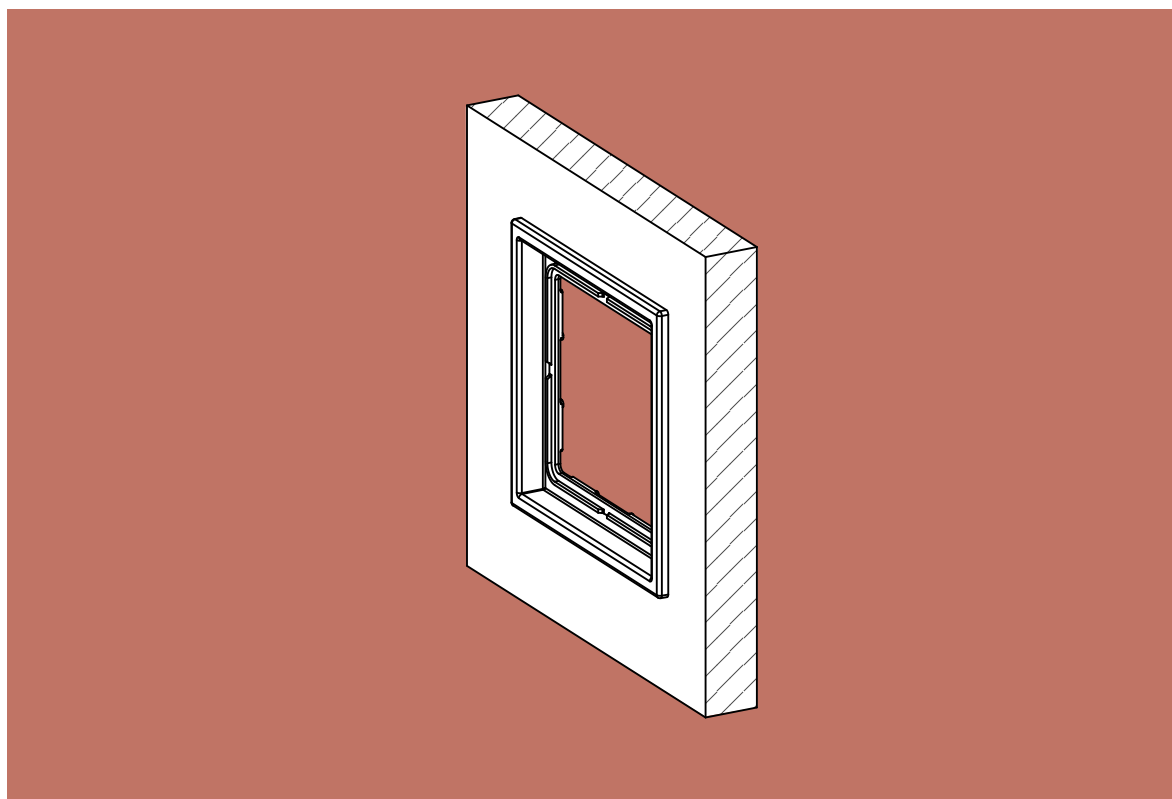
A-A



Safety instructions for installation: The insert may only be connected by a qualified electrician to the electrical network.

Mounting recommendation

3 mm

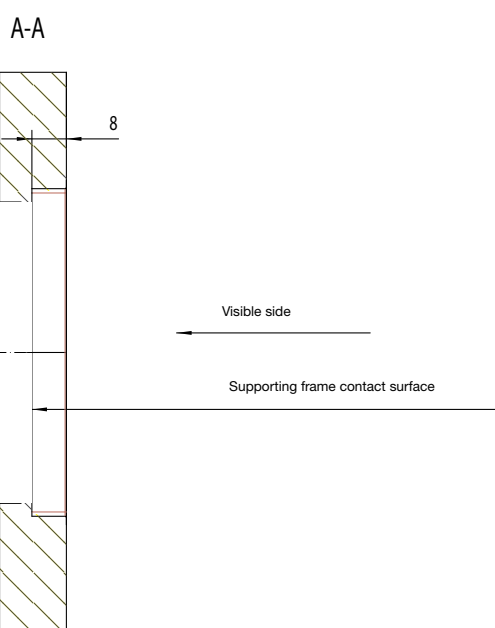
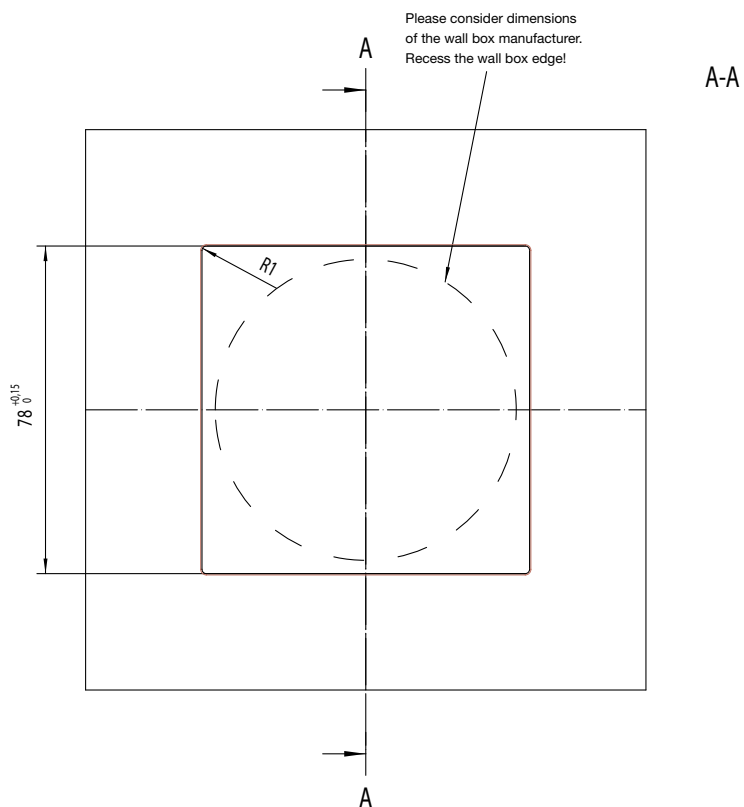


The flush mounting installation requires a minimum panel thickness of 13 mm. The supporting frame contact surface must be generated smooth and flat. Subsequently the cut out has to be sealed with a suitable sealing in order to avoid a swelling of the furniture.

Mounting recommendation

3 mm

1-gang frame installation:

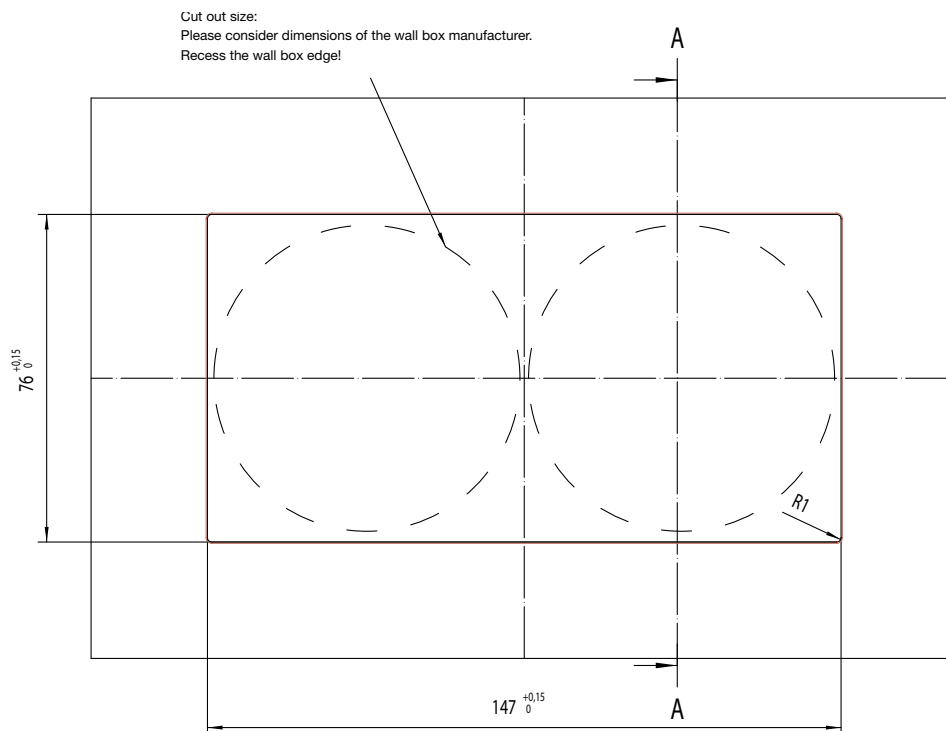


Safety instructions for installation: The insert may only be connected by a qualified electrician to the electrical network.

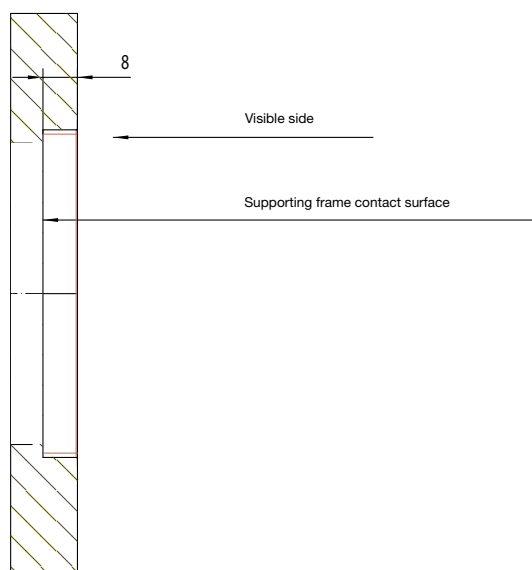
Mounting recommendation

3 mm

2-gang frame installation:



A-A

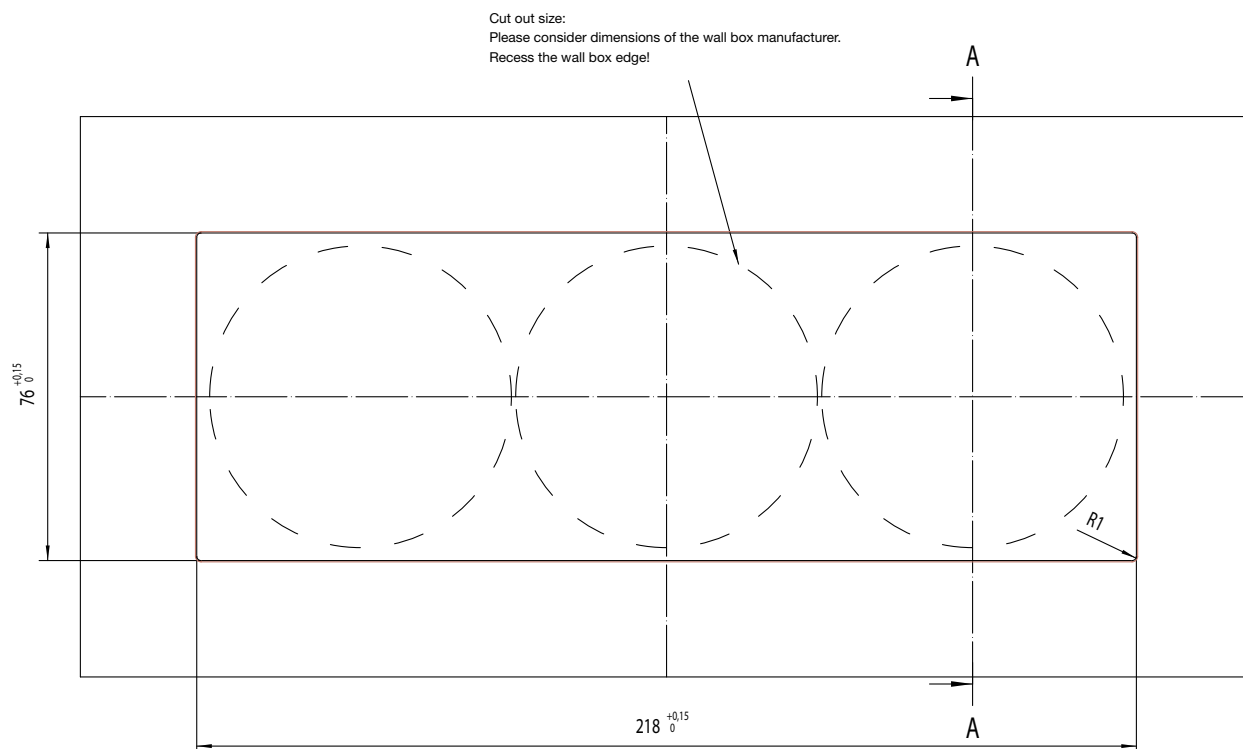


Safety instructions for installation: The insert may only be connected by a qualified electrician to the electrical network.

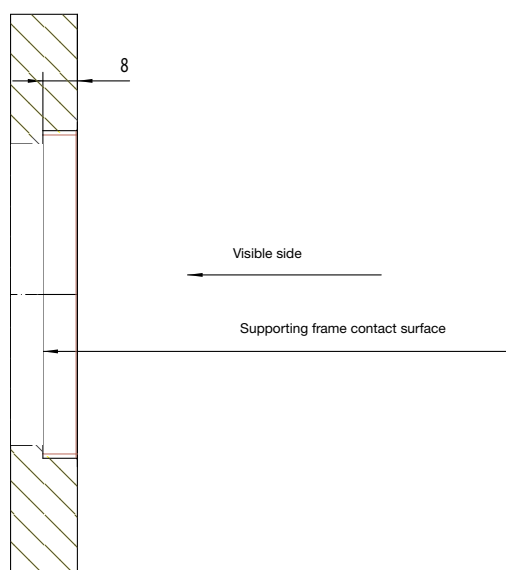
Mounting recommendation

3 mm

3-gang frame installation:



A-A



Safety instructions for installation: The insert may only be connected by a qualified electrician to the electrical network.